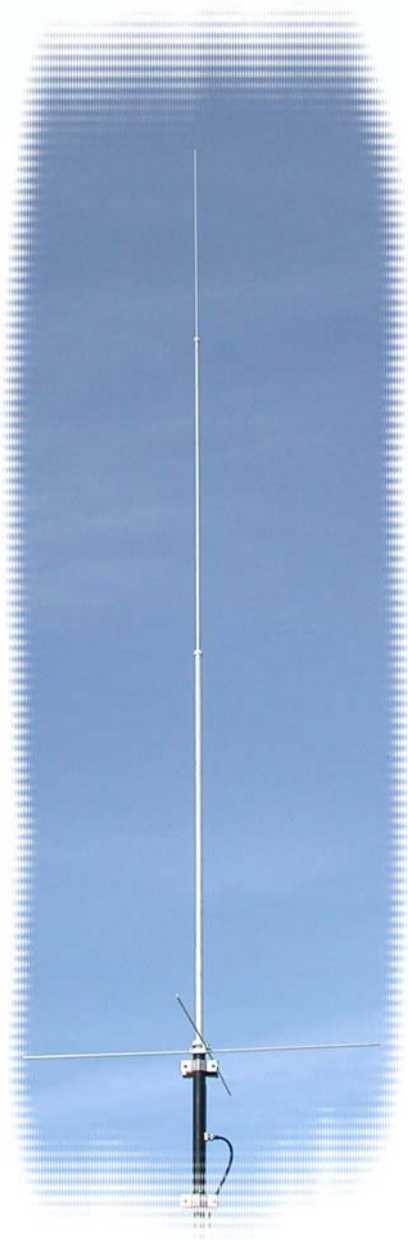


Vigintos Elektronika

Omnidirectional FM broadcasting antenna

FM antenna BLR-7GPA

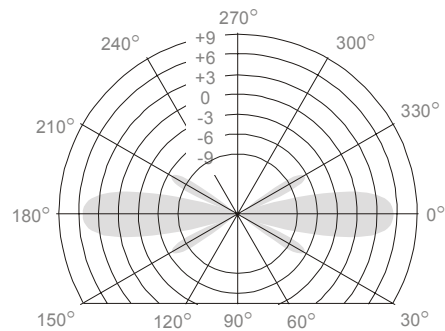
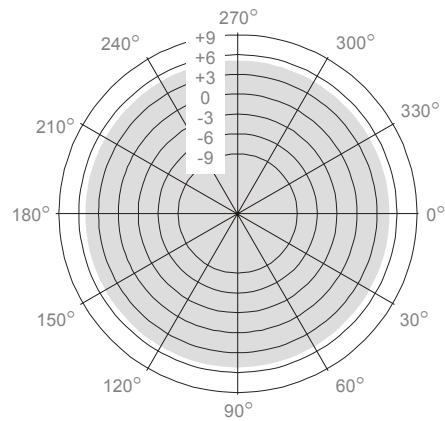


Technical data

Frequency range	87.5-108 MHz
Bandwidth	± 0.5 MHz
Working frequency	on request
Polarization	vertical
Gain	7 dBi
Max power	1 kW
VSWR	≤ 1.2 max
Impedance	50 ohm
Input connector	7/16" female

Radiation pattern

H-Plane



V-Plane

Mechanical data

External parts	aluminum
Internal parts	silver-plated brass, PTFE
Dimension	7.30 m max 3 x 5/8λ
Weight	10 kg
Max wind velocity	150 km/h
Mounting	60...120 mm diameter